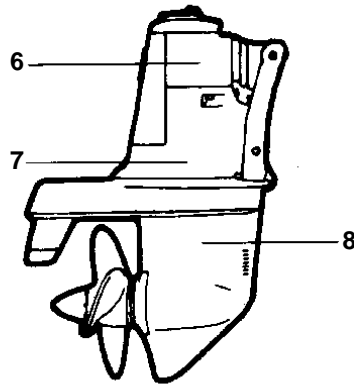
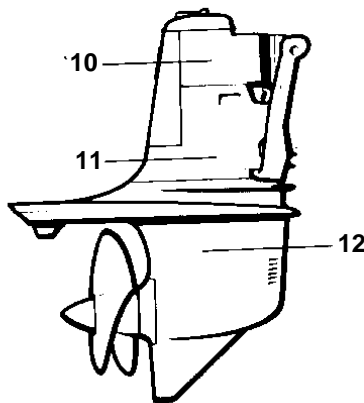


1



5



9

3440

REF	PART NO.	QTY	DESCRIPTION	SEE SEC.	NOTES
5		1			INCLUDED IN AQ DRIVE UNIT 850354, 850356., RATIO 1,61:1
		1			REPLACED BY 839390., RATIO 1,89:1
		1			FOR PROPELLER WITH SHORT HUB., RATIO 2,15:1
6		1	· UPPER GEAR UNIT	12908	
7		1	· INTERM HOUSING	12909	
8		1	· LOWER GEAR UNIT	12911	
	875192	1	Gasket kit		SEE GROUP 10